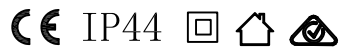
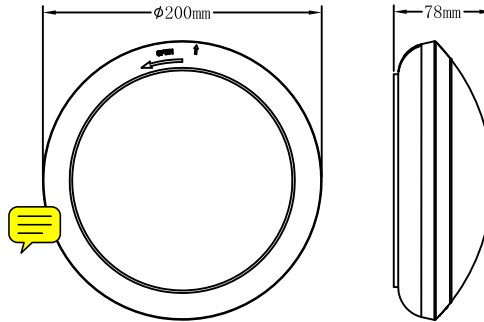


INSTALLATION AND OPERATING INSTRUCTIONS FOR LED ROUND BULKHEAD



RELEVANT STANDARDS

EN55015	EN62493
EN60598-1	EN61547
EN60598-2-1	EN61000-3-2
EN61000-3-3	



CAUTIONS

This product should be installed by a registered electrician in accordance with local standards and electrical regulations. Take care to ensure the mains supply is isolated before installation. Check the unit label for correct supply voltage and frequency.

TECHNICAL DATA

Input voltage:	220-240V, 50Hz	IP rating:	IP44
Power consumption:	13W/14W	Material:	RoHS
Source:	SMD 2835 LED	Sensor detection angle :	360°
Color temperature:	5000K /4000K /3000K	Integrated sensor :	5.8 GHz Microwave motion detector (<10mW)
Lumen output :	900LM		
Mounting:	Ceiling mount		

SPECIFICATION

Model Number	Input Voltage	Sensor	Power	lumen output	CCT
RB-200C-MS	220-240V~50Hz	Yes	14W	900lm	5000K
RB-200C	220-240V~50Hz	NO	13W	900lm	5000K
RB-200N-MS	220-240V~50Hz	Yes	14W	900lm	4000K
RB-200N	220-240V~50Hz	NO	13W	900lm	4000K
RB-200W-MS	220-240V~50Hz	Yes	14W	900lm	3000K
RB-200W	220-240V~50Hz	NO	13W	900lm	3000K

SERVICE & MAINTENANCE

Microwave sensor: The sensor is an active motion detector, it emits high-frequency electro-magnetic wave (5.8GHz) and receives their echo. The sensor detects the change in echo from even the slightest movement in its detection zone. A microprocessor then triggers the "switch light ON" command. Detection is possible through doors, panes of glass or thin walls.

Note: the high-frequency output of this sensor is <10Mw- that is just one 100th of the transmission power of a mobile phone or the output of a microwave oven.



1-8m radii

Reach is the term used to describe the radius of the circular detection zone produced on the ground. After mounting the sensor light at a height of 2.5m, turn the reach control completely in anti-clockwise direction to select minimum reach (approx. 1 m radius), and turn the reach control completely in a clockwise direction to select the maximum reach (approx. 8m radius).



Time
8sec-12min

The light can be set to stay ON for any period of time between approx. 8sec (dial turned fully anti-clockwise) and a maximum of 12min (dial turned fully clockwise). Any movement detected during the "on" time will reset the timer. The LED indicator will flash when adjusting the time setting dial. The number of flashes means the following: 1 flash = 10sec, 2 flashes= 1 min, 3 flashes= 2 min, 4 flashes= 5 min, 5 flashes=8 min, 6 flashes=10 min, 7 flashes=12 min.

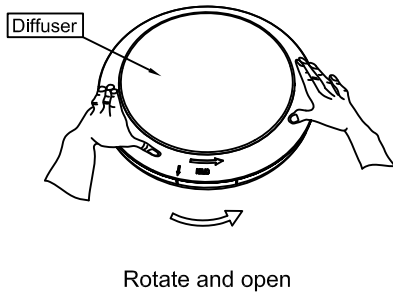


2-2000LUX

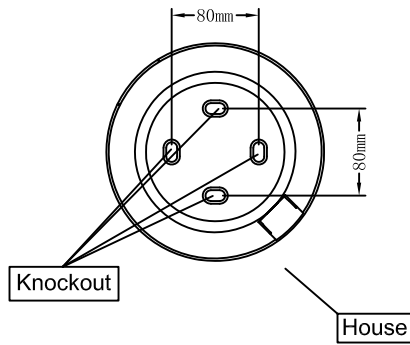
The chosen light response threshold can be infinitely from approx. 2-2000lux. Turn it fully anti-clockwise to select dusk- to-dawn operation at about 2 Lux. Turn it fully clockwise to select daylight operation at about 2000lux. The knob must be turned fully clockwise when adjusting the detection zone and performing the walk test in daylight.

INSTALLATION

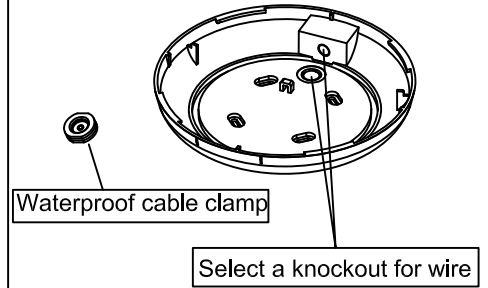
① Open the luminaire, rotate the diffuser as graph show



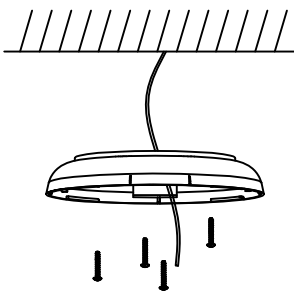
② Knockout hole for mounting.



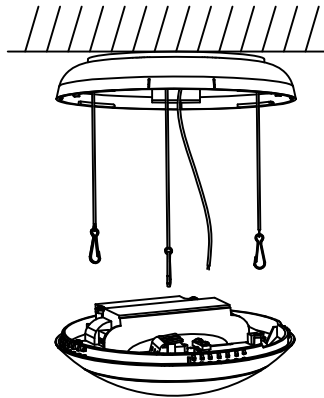
③ Select appropriate knockout hole for wiring. Snap waterproof cable clamp into wiring hole, put the wire through the house.



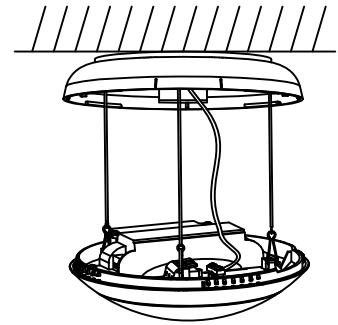
④ Fix house in the ceiling by screws.



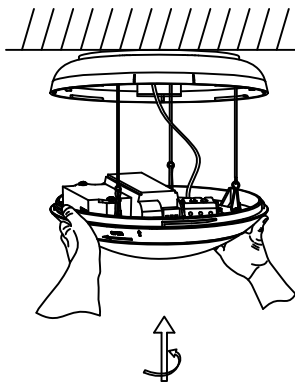
⑤ Hanging the diffuser with module on the house by using steel hook provided.



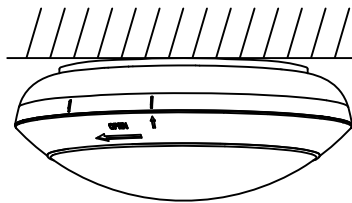
⑥ Connect the wiring cable on terminal block (As shown in Fig 1)



⑦ Assemble the diffuser with module onto the house.



⑧ The installation is complete



Electrical Connection Fig1
Series of general wiring diagram

