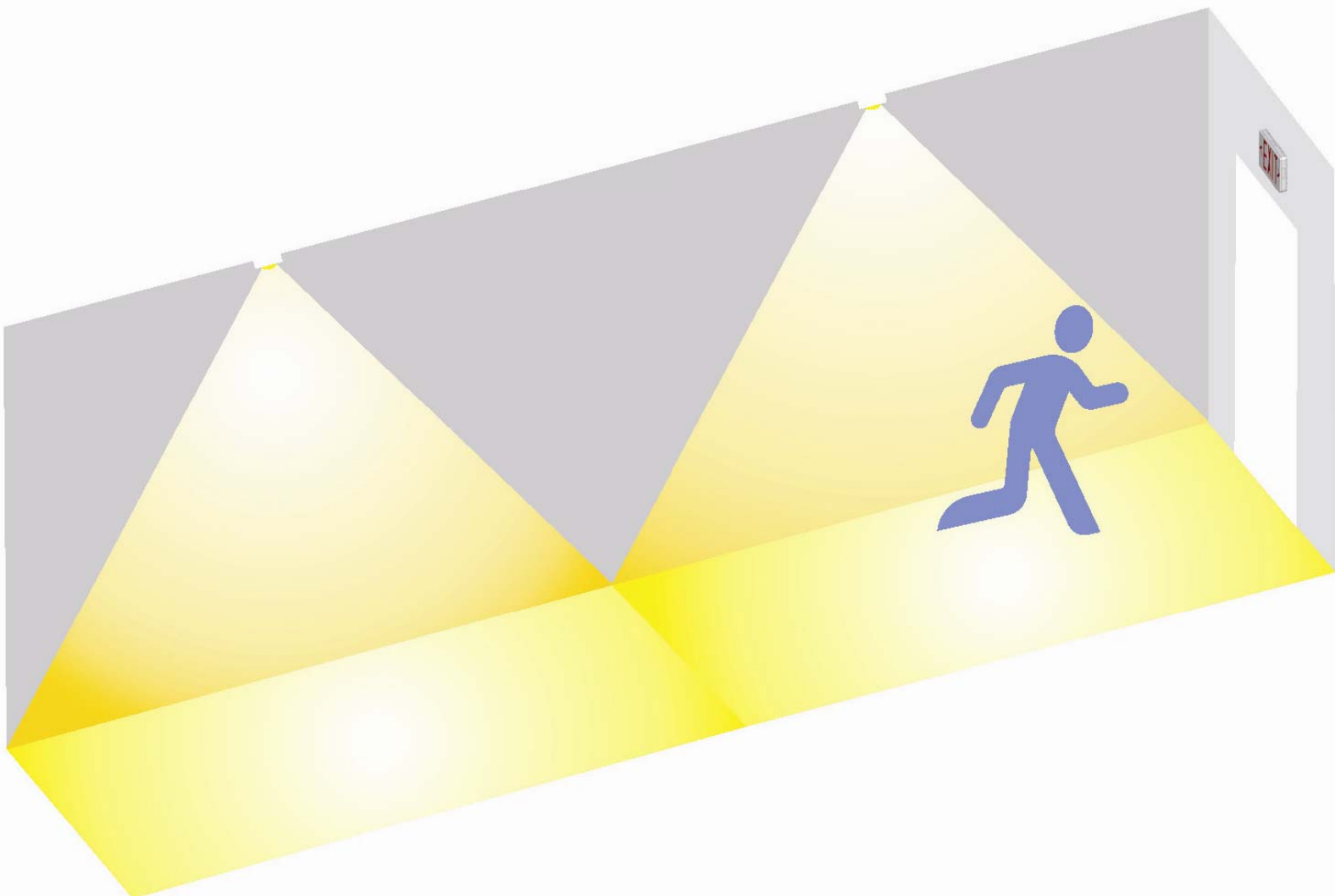


SPECIFICATION SHEET FOR LED EMERGENCY LIGHT

EXL-700 Series



Je Woo Corporation, Ltd.
Dong Sheng Industrial Park, Dong Sheng Village, Chen Jiang
Subdistrict office, Zhong Kai High-Tech Development Zone, Hui
Zhou City, Guang Dong, P.R.C.
Tel: 86-752-312-5585
Fax: 86-752-312-5586 / 5587

Table Of Content

Revision History -----	1
Product Photo -----	2
Product Dimension-----	2
Product Feature-----	2
Order Guide-----	2
Model List and Parameter -----	3
Exploded and Material List-----	4
Photometric -----	5
Packaging -----	6
Certificate -----	7

Revision History

Revised Symbol	Revised Description	Version	Revised By	Revised Date
	New create	Draft	Harris Chen	2015.3.3
	Confirm final lumen output, Add EXL-700-HO6 540lm model	E.0	Harris Chen	2015.5.11

Product Photo



Product Feature

Housing

- Injection-molded thermoplastic ABS housing.
- Plastic enclosure with 5VA flame retardant.
- Quick connector design for easy installation.
- Two fully adjustable glare-free square shape light heads for emergency light.

Electrical

- AC 120/277V 60Hz dual voltage operation.
- Test switch and charge rate indicator.
- 3.6V long-life, maintenance-free, rechargeable Ni-Cad battery.
24 hours recharge after 90 minutes discharge.

Illumination

- SMD 2835 LED, CCT 6000K, L70 35,000 hours.
- 1 watts (6 LEDs) per head for standard model, fixture provide 200lm on initial discharge.
- 1.5 watts (9 LEDs) per head for high lumen model, fixture provide 300lm on initial discharge.

Mounting

- Suitable for wall mount and ceiling mount.
- Top and side knockout for conduit applications.

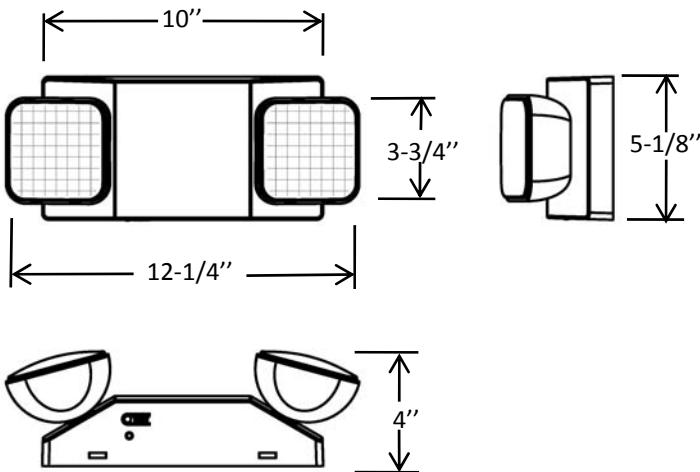
Options

- CT option with self-testing and self-diagnostics.
- RC option with 3.6V3W max. remote capability.
- Multi voltage option with 220-240VAC 50Hz input.

Warranty/Listing

- Warranty 3 years, lifetime of battery has 500 recycle times.
- Suitable for use in 10°C-40°C ambient temperature, suitable for damp location.
- UL and cUL listed and meets or exceed all requirement in NFPA 70, NFPA 101 life safety code, suitable for U.S.A and Canada market.

Product Dimension



Order Guide

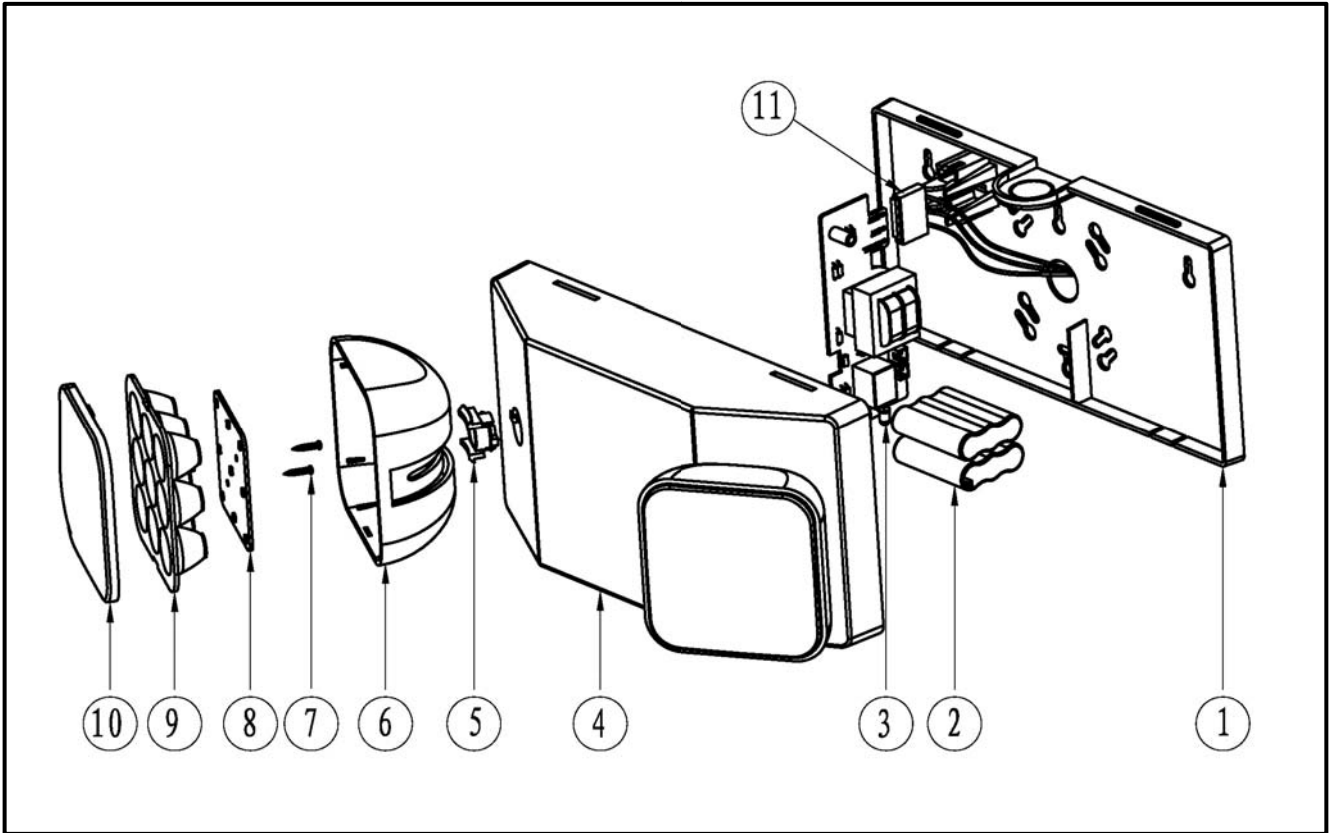
Family	Lumen Output & Remote Capability	Test Facility	Housing Color	Voltage
EXL-700	Blank: Standard lumen output, no remote capability	Blank: Manual test CT: Self- diagnostics	W: White B: Black	1: 120/277V 3: 220-240V ⁽¹⁾
	RC: Standard lumen output, With remote capability			
	HO: High lumen output, w/o remote capability			
	HORC: High lumen output, with remote capability			
	HO6: Total 540lm@6W			

Note:
(1) 220-240V model without remote capability, no self-testing, self-diagnostics.

Model List and Electrical Rating

No.	Model	Test facility	NI-cad Battery	Recharge Time	Emergency Duration	Input			Output		
						Voltage	Hz	Power Consumption (maintenance mode)	Lamp Head	Luminous Flux(initial)	Remote capability
1	EXL-700-W(B)-1	Manual test	3.6V1000mA	24 hours	90 minutes	120/277	60	2.5W	1W *2pcs	200 lm	N/A
2	EXL-700-RC-W(B)-1	Manual test	3.6V1000mA *2pcs	24 hours	90 minutes	120/277	60	3.3W	1W *2pcs	200 lm	3.6V 3W
3	EXL-700-HO-W(B)-1	Manual test	3.6V800mA *2pcs	24 hours	90 minutes	120/277	60	2.5W	1.5W *2pcs	300 lm	N/A
4	EXL-700-HORC-W(B)-1	Manual test	3.6V1000mA *3pcs	24 hours	90 minutes	120/277	60	3.3W	1.5W *2pcs	300 lm	3.6V 3W
5	EXL-700-CT-W(B)-1	Self-diagnostics	3.6V1000mA	24 hours	90 minutes	120/277	60	2.5W	1W *2pcs	200 lm	N/A
6	EXL-700-RC-CT-W(B)-1	Self-diagnostics	3.6V1000mA *2pcs	24 hours	90 minutes	120/277	60	3.3W	1W *2pcs	200 lm	3.6V 3W
7	EXL-700-HO-CT-W(B)-1	Self-diagnostics	3.6V800mA *2pcs	24 hours	90 minutes	120/277	60	2.5W	1.5W *2pcs	300 lm	N/A
8	EXL-700-HORC-CT-W(B)-1	Self-diagnostics	3.6V1000mA *3pcs	24 hours	90 minutes	120/277	60	3.3W	1.5W *2pcs	300 lm	3.6V 3W
9	EXL-700-W(B)-3	Manual test	3.6V1000mA	24 hours	90 minutes	220-240V	50/60	2.5W	1W *2pcs	200 lm	N/A
10	EXL-700-HO-W(B)-3	Manual test	3.6V800mA *2pcs	24 hours	90 minutes	220-240V	50/60	3W	1.5W *2pcs	300 lm	N/A
11	EXL-700-HO6-W(B)-1	Manual test	3.6V1000mA *3pcs	24 hours	90 minutes	120/277	60	3.5W	3W *2pcs	540 lm	N/A
12	EXL-700-HO6-CT-W(B)-1	Self-diagnostics	3.6V1000mA *3pcs	24 hours	90 minutes	120/277	60	3.5W	3W *2pcs	540 lm	N/A

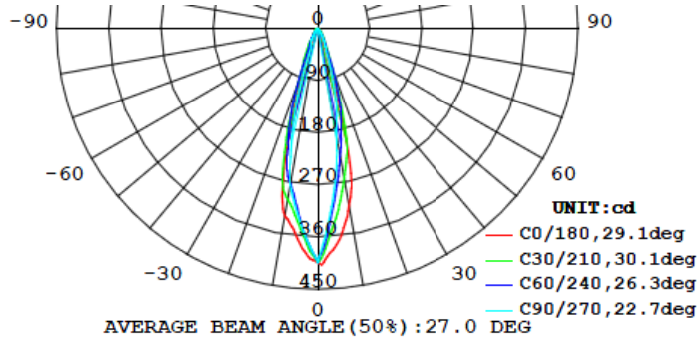
Exploded and Material List



No.	Parts Name	Material	Q'Y
1	Back plate	ABS	4pcs
2	Ni-cad or Ni-Mh battery		1pc or 2pcs
3	Main PCBA		1pc
4	Housing	ABS	1pc
5	Swivel	Polycarbonate	2pcs
6	Lamp housing	ABS	2pcs
7	Screw	Steel, for LED PCBA	4pcs
8	LED PCBA		2pcs
9	Reflector	ABS	2pcs
10	Lens	Polycarbonate	2pcs

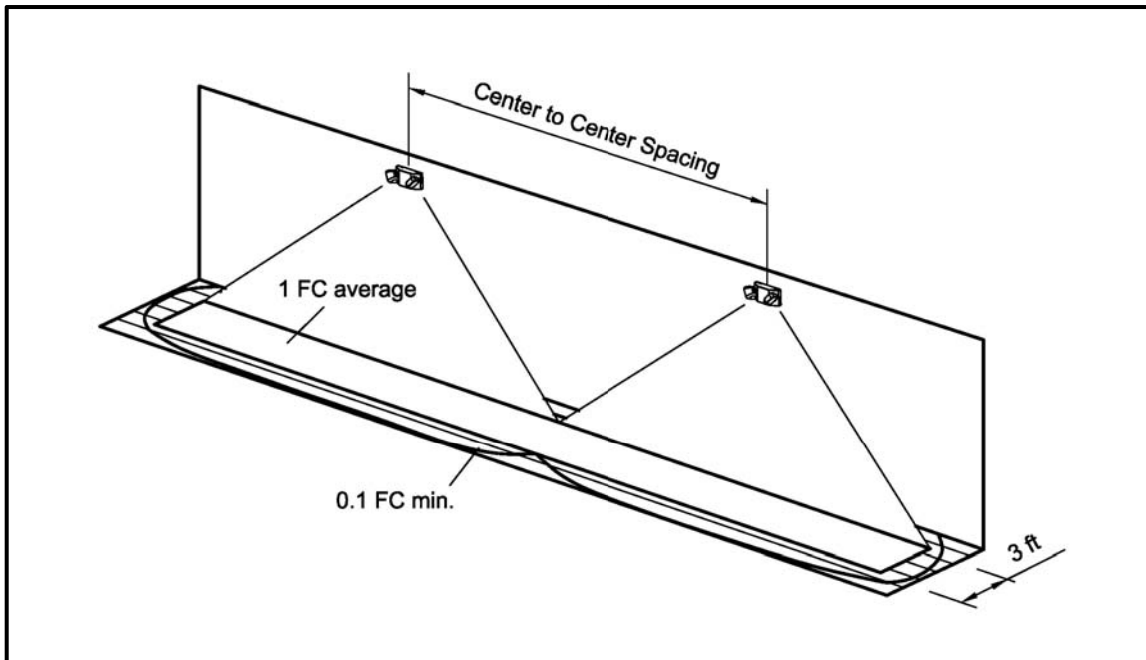
Photometric

Luminous intensity distribution (single head)



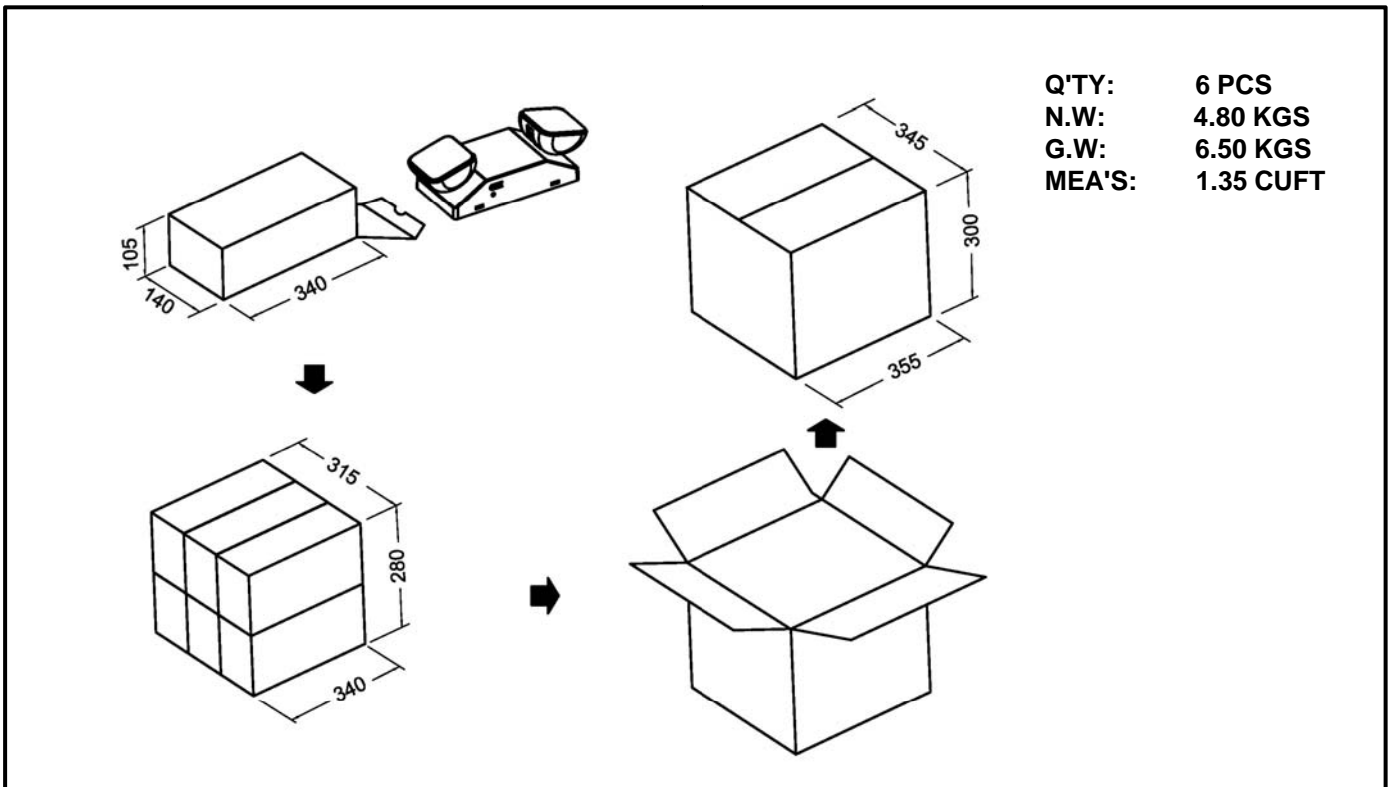
Center to Center Spacing

NFPA 101 requires 1.0 foot-candle average and 0.1 foot-candle minimum with a 40:1 maximum/minimum ratio. The corridor used is 100 feet long, 9 feet ceiling with a 6 feet wide walkway and 3 feet path of egress. The reflectance are 80% ceiling, 50% walls and 20% floors. The fixture mounting height is 7.5 feet.



No.	Model	Center to Center Spacing	Lumen output
1	EXL-700	24 feet	200 lm
2	EXL-700-HO	30 feet	300 lm
3	EXL-700-HO6	50 feet	540 lm

Packaging



Certificate

CERTIFICATE OF COMPLIANCE

Certificate Number 20150917-E181611
Report Reference E181611-20150917
Issue Date 2015-SEPTEMBER-17

Issued to: JE WOO CORP LTD
 DONG SHENG INDUSTRIAL PARK
 DONG SHENG VLG
 CHEN JIANG TOWN HUI CHENG ZONE
 HUIZHOU
 GUANGDONG 516229 CHINA

**This is to certify that
 representative samples of**

EMERGENCY LIGHTING AND POWER EQUIPMENT
 Unit Equipment, Model EXL-700 series, followed by RC,
 HO, HORC or HO6, may be followed by -CT, may be
 followed by -W or -B, may be followed by -1 or -3; may be
 provided with additional prefixes or suffixes for commercial
 purposes.

Have been investigated by UL in accordance with the
 Standard(s) indicated on this Certificate.

Standard(s) for Safety: UL 924, Emergency Lighting and Power Equipment.
 CSA C22.2 No. 141-10, Unit Equipment for Emergency
 Lighting.

Additional Information: See the UL Online Certifications Directory at
www.ul.com/database for additional information

Only those products bearing the UL Certification Mark should be considered as being covered by UL's
 Certification and Follow-Up Service.

Look for the UL Certification Mark on the product.



Bruce Mahrenholz, Director North American Certification Program

UL LLC

Any information and documentation involving UL Mark services are provided on behalf of UL LLC (UL) or any authorized licensee of UL. For questions, please
 contact a local UL Customer Service Representative at <http://ul.com/about/locations/>

