

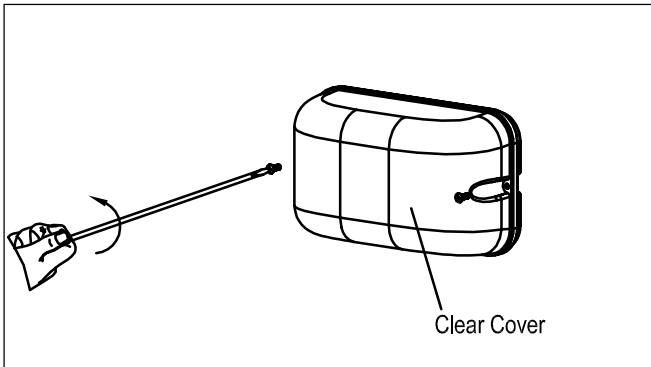


INSTALLATION INSTRUCTIONS FOR WATERPROOF ENCLOSURE

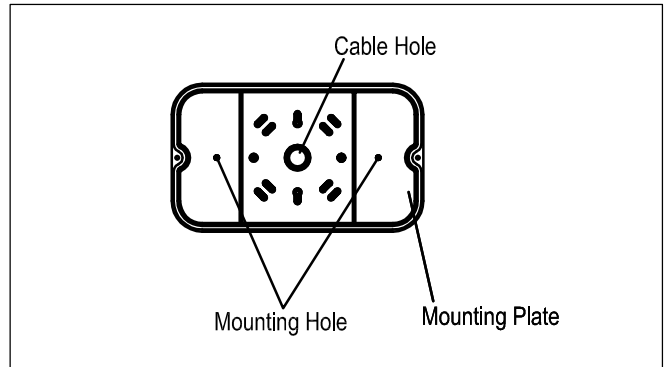
Mounting Instructions

NOTE: First turn off electricity.

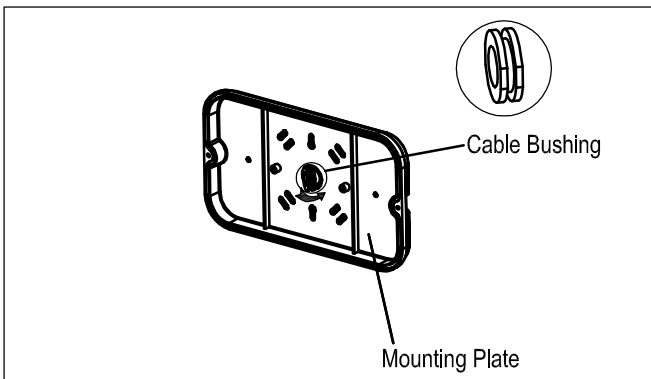
1. Open clear cover.



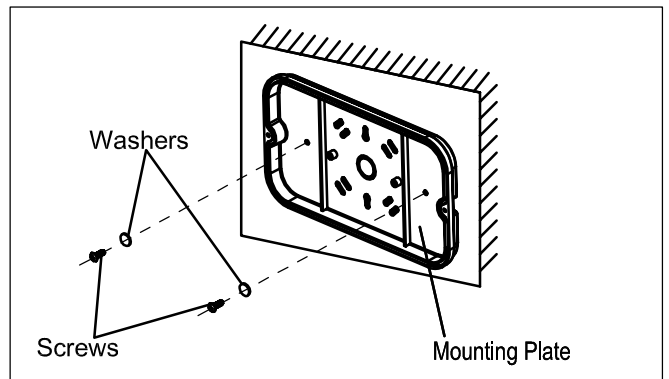
2. Drill mounting holes and Ø15 Cable hole on the mounting plate.



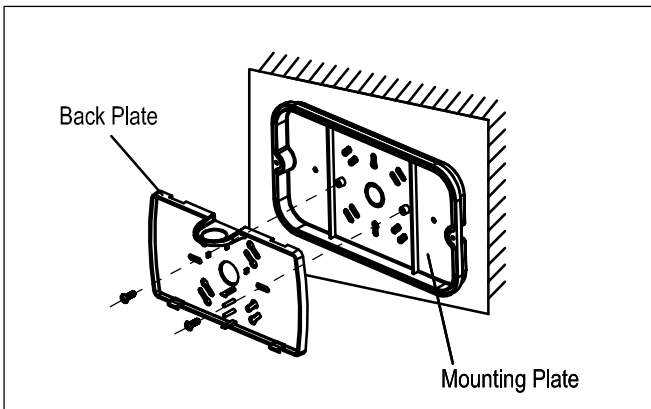
3. Assemble cable bushing on the mounting hole.



4. Install mounting plate on mounting surface by 2 screws and washers provided.



5. Secure emergency lighting fixture back plate to waterproof case mounting plate, then install the fixture.
(Reference emergency light instruction sheet)



6. After install emergency lighting, assemble clear cover.

