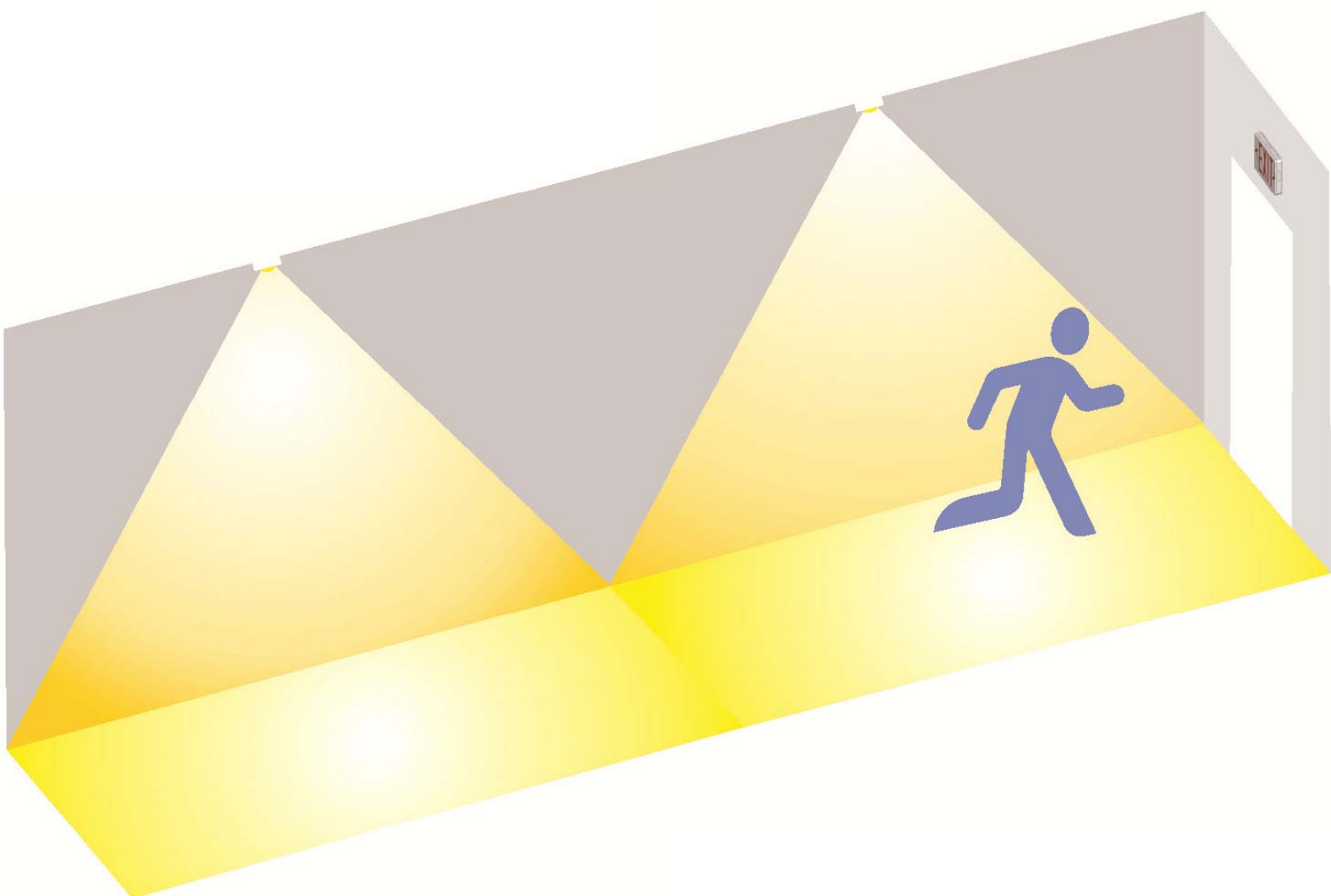


# SPECIFICATION SHEET FOR LED EMERGENCY LIGHT

## EU900 Series



Je Woo Corporation, Ltd.  
Dong Sheng Industrial Park, Dong Sheng Village, Chen Jiang  
Subdistrict office, Zhong Kai High-Tech Development Zone, Hui  
Zhou City, Guang Dong, P.R.C.  
Tel: 86-752-312-5585  
Fax: 86-752-312-5586 / 5587

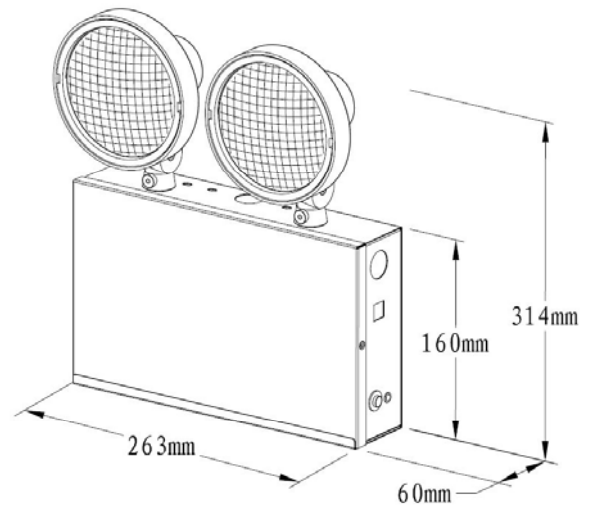
## Table Of Content

Revision History -----	1
Photo and Dimension -----	2
Feature -----	2
Technical Specification -----	2
Order Guide -----	3
Model List and Electrical Rating -----	3
Photometric -----	4
Packaging -----	5

## Revision History

Revised Symbol	Revised Description	Version	Revised By	Revised Date
	New create	Draft	Wang Tao	2016.03
	Add CBS option	F.0	Wang Tao	2016.10

## Photo and Dimension



## Technical Specification

Normal Supply	220-240VAC 50/60Hz
Power consumption	Max. 2.5W at maintenance mode
Charge time	24 hours
Discharge duration	1/2/3hour
Changeover voltage	144-187VAC
Battery	Ni-Mh battery
Test facility	Manual test and AUTO test
Operation	Non-maintained
Mounting	Wall mounting
LED	SMD 2835 LED, CCT 6000K, CRI>70
Normal flux	1200 lm for 1 hour model, 550lm for 2,3 hours model
Housing material	Metal chassis with powder finish
Lamp material	Plastic
Degree of protection	IP20
Luminaire classification	Class I
Ambient temperature	0°C...+40°C
Certification	CE,CB,RCM

## Order Guide

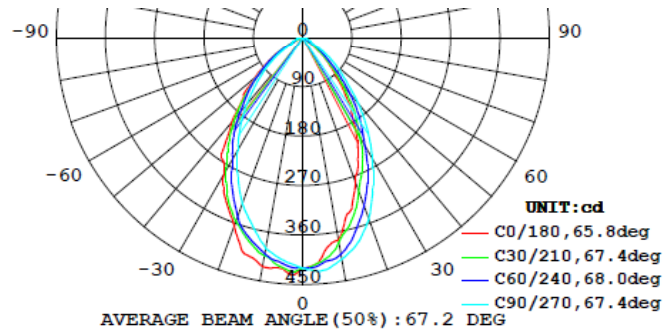
Family	Emergency Duration	Test Function	Battery
EU900	<b>1H</b> : 1hour <b>2H</b> : 1hour <b>3H</b> : 3hours <b>CBS</b> : Central battery system	<b>MT</b> : Manual test <b>AT</b> : AUTO test	<b>MH</b> : Ni-Mh battery

## Model List and Electric Rating

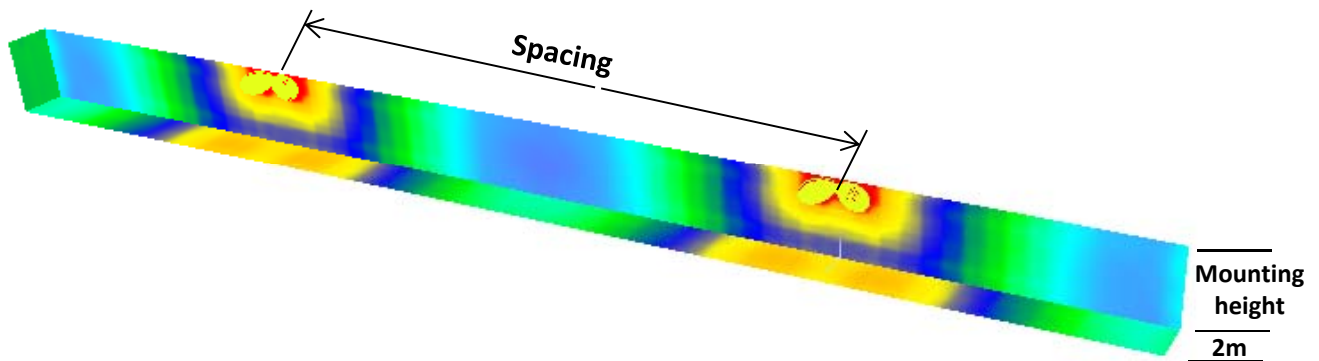
Model	Input Voltage	Charge Duration	Discharge Duration	Battery	Power Consumption	Test facility	LED	Lumen output
EU900/1H/MT/MH	220-240VAC 50/60Hz	24h	1h	Ni-Mh, 9.6V 2Ah	Max. 5.5W	Manual test	SMD 2835 LED 42pcs*2	1200 lm
EU900/1H/AT/MH	220-240VAC 50/60Hz	24h	1h	Ni-Mh, 9.6V 2Ah	Max. 5.0W	AUTO test	SMD 2835 LED 42pcs*2	1200 lm
EU900/2H/MT/MH	220-240VAC 50/60Hz	16h	2h	Ni-Mh, 9.6V 2Ah	Max. 5.5W	Manual test	SMD 2835 LED 20pcs*2	550lm
EU900/2H/AT/MH	220-240VAC 50/60Hz	16h	2h	Ni-Mh, 9.6V 2Ah	Max. 5.0W	AUTO test	SMD 2835 LED 20pcs*2	550lm
EU900/3H/MT/MH	220-240VAC 50/60Hz	24h	3h	Ni-Mh, 9.6V 2Ah	Max. 5.5W	Manual test	SMD 2835 LED 20pcs*2	550lm
EU900/3H/AT/MH	220-240VAC 50/60Hz	24h	3h	Ni-Mh, 9.6V 2Ah	Max. 5.0W	AUTO test	SMD 2835 LED 20pcs*2	550 lm
EU900/CBS	DC176-254V	N/A	N/A	N/A	N/A	N/A	SMD 2835 LED 42pcs*2	1300 lm

## Photometric

### Luminous intensity distribution



### Luminaire mounting space for corridor



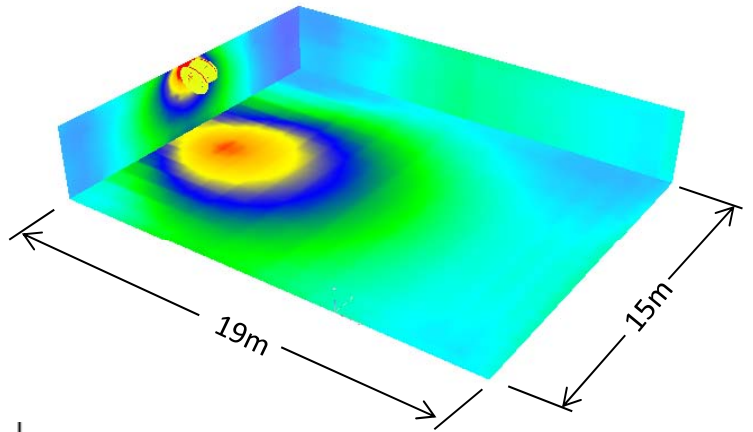
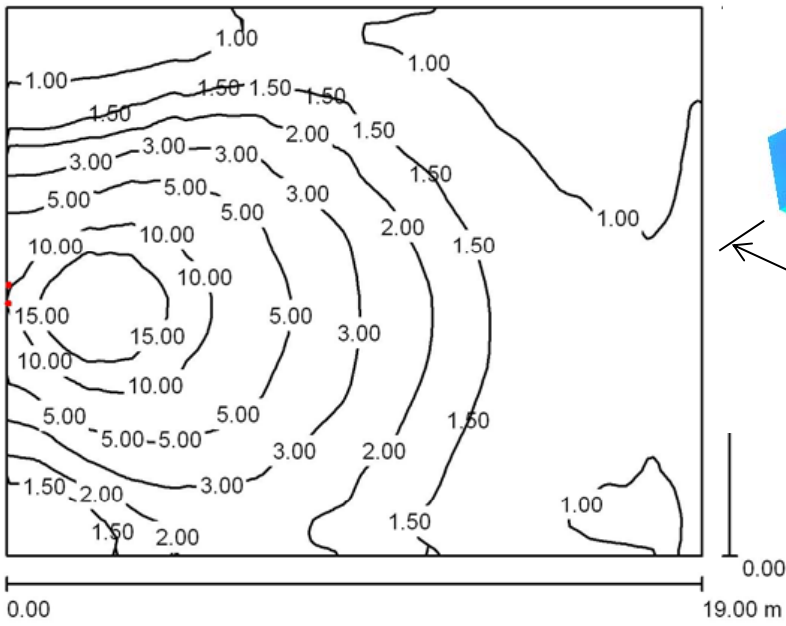
Mounting Height	Spacing (1hour duration model)	Spacing (3 hours duration model)
2.5m	20.0m	12.0m
3.0m	24.0m	14.0m
3.5m	28.0m	16.0m

Compliant EUROPE standard EN1838

Illuminance requirement:

Escape route up to 2 m wide, 1 lx on the central axis  
and 0.5 lx at 50% of the width.

**Luminaire for door forward performance**



Height of Room: 3.200 m, Mounting Height: 3.000 m, Light loss factor: 0.85

Values in Lux,

Surface	$\rho$ [%]	$E_{av}$ [lx]	$E_{min}$ [lx]	$E_{max}$ [lx]
Workplane	/	3.10	0.64	23

**Packaging**

QTY: 4 PCS  
 N.W: 7.7 KGS  
 G.W: 10 KGS  
 MEA'S: 1.9 CUFT