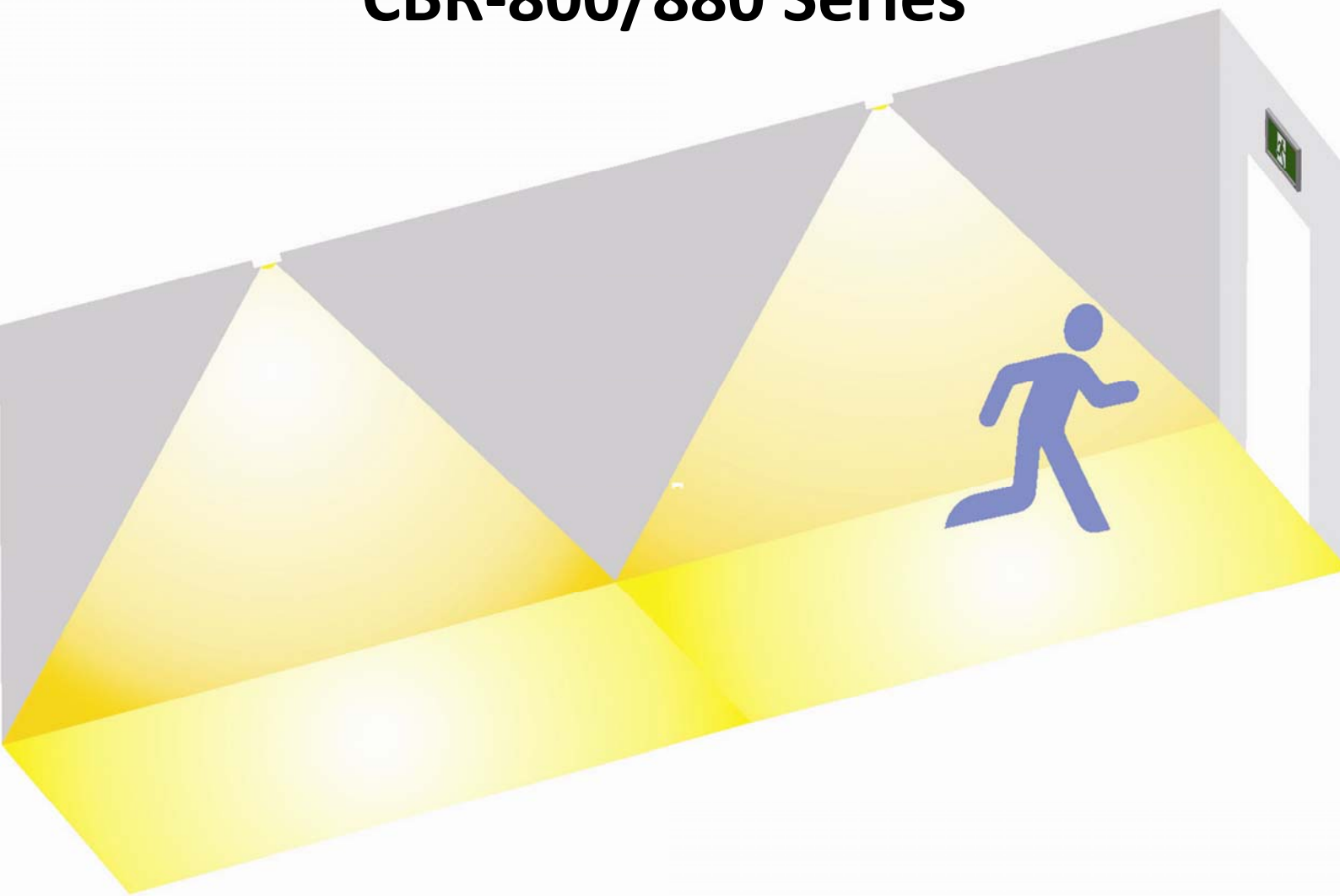


SPECIFICATION SHEET FOR LED EXIT SIGN AND EMERGENCY LIGHTING COMBO

CBR-800/880 Series



Je Woo Corporation, Ltd.
Dong Sheng Industrial Park, Dong Sheng Village, Chen Jiang
Subdistrict office, Zhong Kai High-Tech Development Zone, Hui
Zhou City, Guang Dong, P.R.C.
Tel: 86-752-312-5585
Fax: 86-752-312-5586 / 5587

Table Of Content

Product Shape and Dimension -----	2
Product Feature -----	2
Order Guide -----	2
Model List and Parameter -----	3
Photometric -----	4
Lamp Head Assembly-----	5
Packaging -----	5
Certificate Sheet -----	6

Revision History

Revised Symbol	Revised Description	Version	Revised By	Revised Date
	New create	Draft	Haris Chen	2015.6
	Update Model list and Parameter	E.0	Haris Chen	2016.1

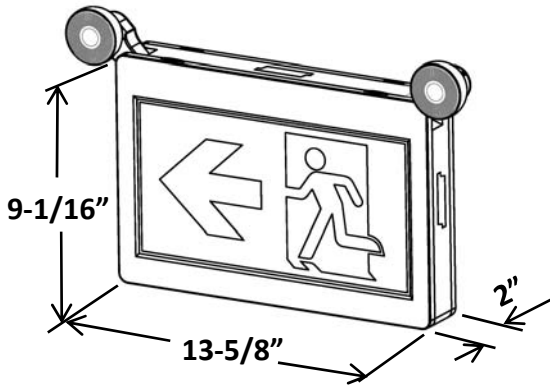
Product Shape and Dimension



CBR-800



CBR-880



Product Feature

Housing

- Injection-molded thermoplastic ABS housing.
- Plastic enclosure with 5VA flame retardant.
- Two fully adjustable glare-free square shape light heads for emergency light.
- Single and double face universal.
- Easy replacement pictogram design.

Electrical

- 120/347VAC Dual voltage operation.
- Test switch and charge LED indicator.
- 3.6V long-life, maintenance-free, rechargeable Ni-Cad/Ni-MH battery.
- SMD 1W or 2W high power LED, CCT 6000K for emergency lamp heads.
- SMD 2835 LED, CCT 6000K for LED escape sign.
- Min. 90 minutes discharge after charge battery 24hours.

Illumination

- Fixture with 1W per lamp head provide 150lm.
- Fixture with 2W per lamp head provide 250lm.

Mounting

- Suitable for wall mounting, ceiling mounting and side mounting.
- Housing snaps to canopy with simple twist and locking tightly secure housing to canopy.

Options

- 2W remote capability and 4W remote capability available.
- AC&DC(UDC type) input fixture available.

Warranty/Listing

- Warranty 3 years for fixture, battery has 500 recycle times lifetime.
- Suitable for use in 10°C-40°C ambient temperature, suitable for damp location.
- CSA listed meets all requirement in C22.2 No. 141-10, suitable for Canada market.

Order Guide

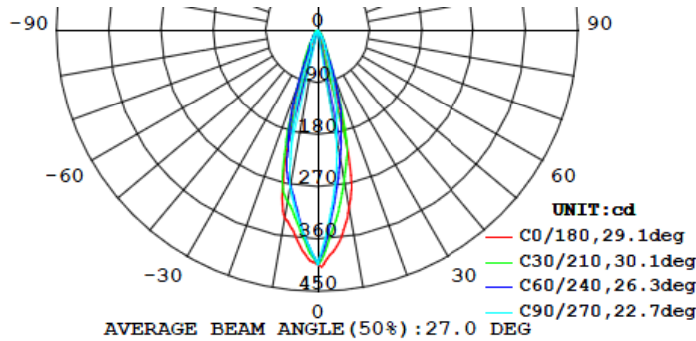
Family	Face	Letter color	Lumen Output & Remote Capability	Housing Color
CBR	800: Exit sign	Blank: Battery backup with 90 min. duration	Blank: w/o remote capability 2RC: 3.6V 2W remote capability (only for 880) 4RC: 3.6V 4W remote capability (only for 880)	W: White B: Black
	880: Combo	UDC: AC/DC input (only for 800)	HO: High lumen output, w/o remote capability (only for 880) HO2RC: High lumen output, 3.6V 2W remote capability (only for 880)	

Model List and Parameter

No.	Model	Test facility	Battery	Recharge Time	Emergency Duration	Input			Output		
						Voltage	Hz	Power Consumption (maintenance mode)	Lamp Head	Luminous Flux	Remote capability
1	CBR-800-W	Manual test	Ni-cad 3.6V600mA *1pc	24 hours	90 minutes	120/347VAC	60	5.0W/6.0W	-	-	-
2	CBR-800-UDC-W	Manual test	-	-	-	120/347VAC (6-24VDC)	60	4.3W/5.3W	-	-	-
3	CBR-880-W	Manual test	Ni-cad 3.6V1000mA *1pc	24 hours	90 minutes	120/347VAC	60	5.1W/6.2W	1W *2pcs	150 lm	-
4	CBR-880-2RC-W	Manual test	Ni-cad 3.6V1000mA *2pcs	24 hours	90 minutes	120/347VAC	60	5.6W/6.7W	1W*2pcs	150 lm	3.6V 2W
5	CBR-880-4RC-W	Manual test	Ni-MH 3.6V1800mA *2pcs	24 hours	90 minutes	120/347VAC	60	6.1W/7.2W	1W*2pcs	150 lm	3.6V 4W
6	CBR-880-HO-W	Manual test	Ni-cad 3.6V1000mA *2pcs	24 hours	90 minutes	120/347VAC	60	5.6W/6.7W	2W *2pcs	250 lm	-
7	CBR-880-HO2RC-W	Manual test	Ni-MH 3.6V1800mA *2pcs	24 hours	90 minutes	120/347VAC	60	6.1W/7.2W	2W *2pcs	250 lm	3.6V 2W

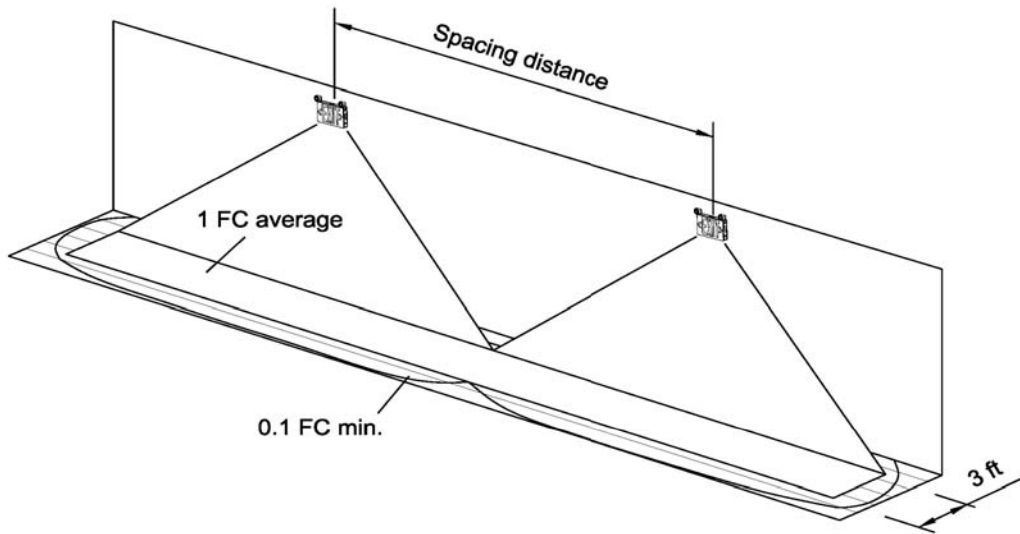
Photometric

Luminous intensity distribution



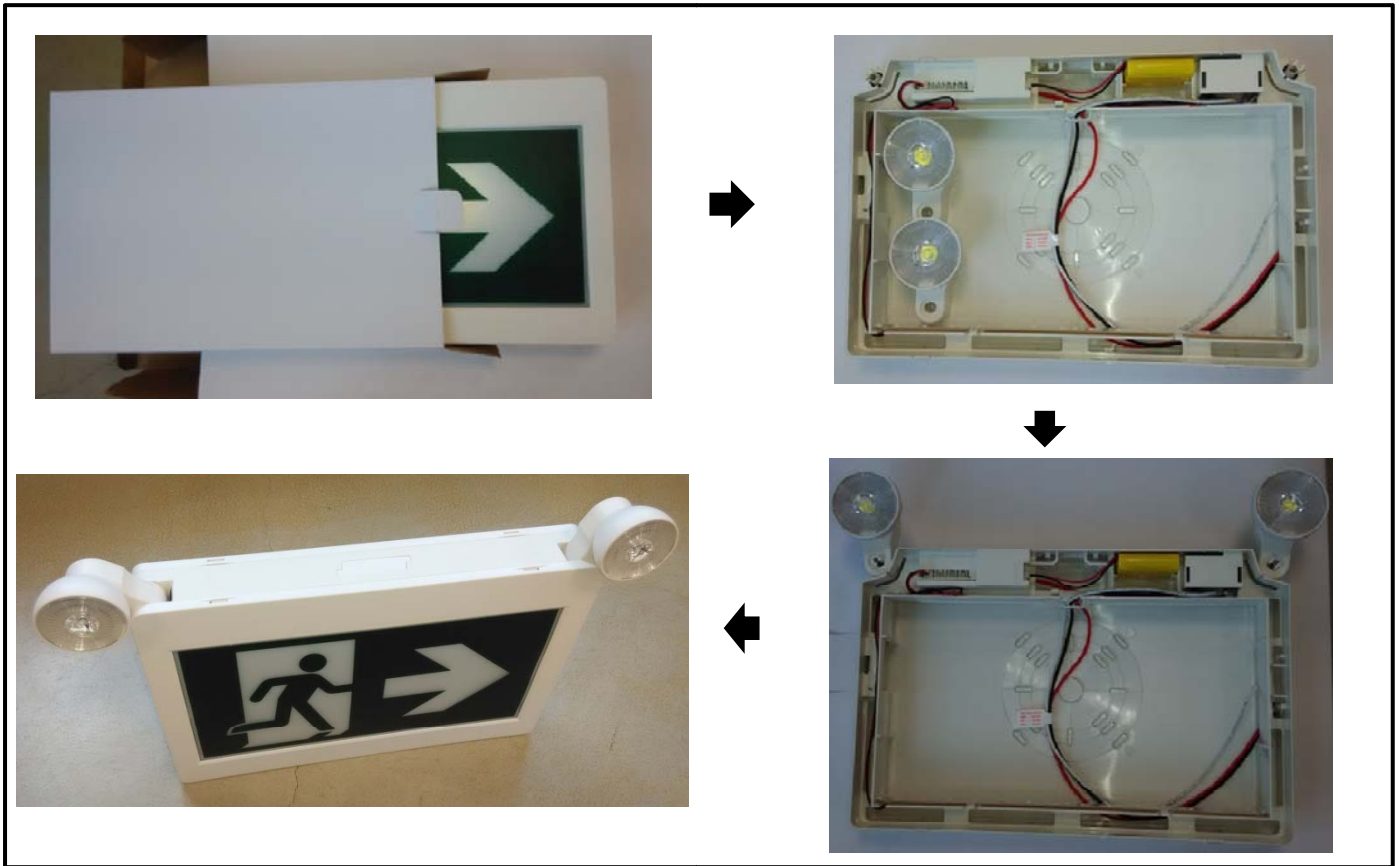
Center to Center Spacing

NFPA 101 requires 1.0 foot-candle average and 0.1 foot-candle minimum with a 40:1 maximum/minimum ratio. The corridor used is 100 feet long, 9 feet ceiling with a 6 feet wide walkway and 3 feet path of egress. The reflectance are 80% ceiling, 50% walls and 20% floors. The fixture mounting height is 7.5 feet.

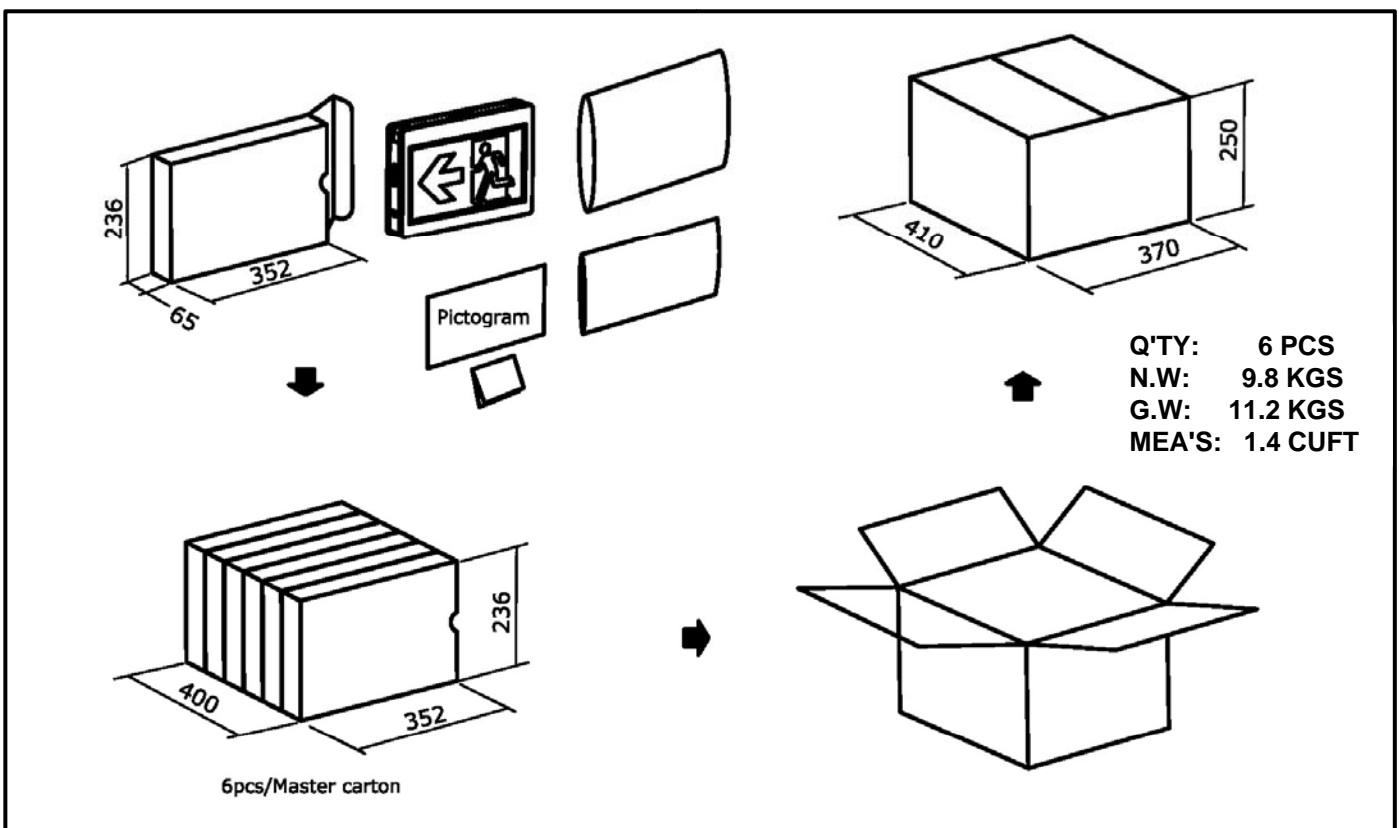


No.	Model	Center to Center Spacing	Lumen output
1	CBR-880	16 feet	150 lm
2	CBR-880-HO	24 feet	250 lm

Lamp Head Assembly



Packaging



Certificate



Certificate of Compliance

Certificate: 70039339 **Master Contract:** 247871
Project: 70039339 **Date Issued:** 2015-08-14
Issued to: Je Woo Corporation Ltd
 Dongsheng Industrial Park, Chen Jiang Town,
 Zhong Kai District, Huizhou City
 GUANGDONG, CHINA
 Attention: Mr. Xing Jiqiang

The products listed below are eligible to bear the CSA Mark shown



Issued by: Himson Guan

PRODUCTS

CLASS 3435 02 - EMERGENCY LIGHTING EQUIPMENT

Dry or Damp Locations, Emergency Lighting Equipment, 10-40 °C Ambient,

	Model Series	Input Ratings				Output Load		Emergency Run Time (minutes)
		V	Hz	A	W	Integral	Remote	
						N/A	N/A	
PART A Surface Mounted	CBR-800*	120/347	50/60	0.052/0.02	5/6	N/A	N/A	90

*Models may be provided with additional prefixes and/ or suffixes for commercial purposes.

Certificate



Certificate: 70039339

Master Contract: 247871

Project: 70039339

Date Issued: 2015-08-14

CLASS 3425 12 - LUMINAIRES - Exit Type

Dry or Damp Location, 10-40 °C Ambient,

	Model Series	Input Ratings						Emergency Run Time (minutes)	
		V		Hz	A	W	Output Load		
							Integral		Remote
PART B Surface Mounted	CBR-880*	120/347	50/60	0.053/ 0.021	5.1/6.2	(2)3.6V,1W White LEDs	N/A	90	
	CBR-880-2RC *	120/347	50/60	0.057/ 0.022	5.6/6.7	(2)3.6V, 1W White LEDs	3.6V, 2W	90	
	CBR-880-4RC*	120/347	50/60	0.06/ 0.024	6.1/7.2	(2) 3.6V,1W White LEDs	3.6V, 4W	90	
	CBR-880-HO*	120/347	50/60	0.057/ 0.022	5.6/6.7	(2)3.6V, 2W White LEDs	N/A	90	
	CBR-880-HO2RC*	120/347	50/60	0.06/ 0.024	6.1/7.2	(2)3.6V, 2W White LEDs	3.6V, 2W	90	

*Models may be provided with additional prefixes and/ or suffixes for commercial purposes.

	Model Series	Input Ratings						Emergency Run Time (minutes)	
		V		Hz	A	W	Output Load		
							Integral		Remote
PART C Surface Mounted	CBR-800-UDC*	AC Circuit	120/ 347	50/ 60	0.048/ 0.019	4.3/5.3	N/A	N/A	N/A
		DC Circuit	6-24	N/A	0.27- 0.08	1.5W- 2W			

*Models may be provided with additional prefixes and/ or suffixes for commercial purposes.

APPLICABLE REQUIREMENTS

- CSA C22.2 No. 141-10 - Unit Equipment for Emergency Lighting
- CAN/CSA-C22.2 No. 250.13-12 - Light emitting Diode (LED) Equipment for Lighting Applications